

Static air cooler measuring guide

Company:

Contact partner:

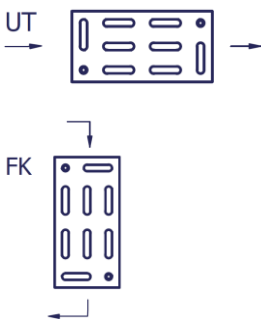
Phone:

E-Mail:

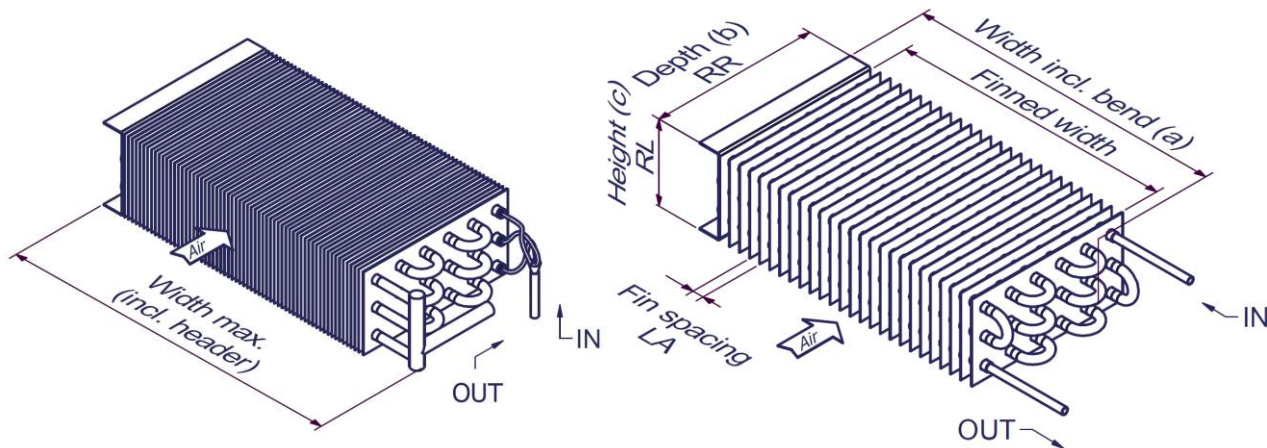
Evaporator specification:

Finned width:	<input type="text"/> mm	Width incl. bend (a)	<input type="text"/> mm		
Width max. incl. header:	<input type="text"/> mm				
Bending end plates:	<input type="checkbox"/> No	<input type="checkbox"/> Yes (please draw shape and dimensions below)			
Coil-Depth (b):	<input type="text"/> mm	Number tube rows (RR)	<input type="text"/> piece		
Coil-Height (c):	<input type="text"/> mm	Number tube rows (RL)	<input type="text"/> piece		
Tube \varnothing	Inlet (IN): <input type="text"/> mm	Outlet (OUT): <input type="text"/> mm	Number Injections: <input type="text"/> piece		
Fin spacing (LA):	<input type="checkbox"/> 3mm	<input type="checkbox"/> 5mm	<input type="checkbox"/> 7mm	<input type="checkbox"/> 10mm	<input type="checkbox"/> mm
Corrosion protection:	<input type="checkbox"/> Alu/CU only	<input type="checkbox"/> Alu (coated) / CU (tinned)	<input type="checkbox"/>		
Execution / Number:	<input type="checkbox"/> UT-Air cooler (lying) piece	<input type="checkbox"/> FK-Air cooler (standing) piece	

UT: Static air cooler (lying)
FK: Static air cooler (standing)



Space for your drawing



Your enquiry is in competent hands at:

Mr. Lucas Hengster
Tel.: +49 (0) 7156 20 01-29

E-Mail: lucas.hengster@walterroller.de
Fax: +49 (0) 7156 20 01-26